

Residential  
**Cashpower Three Phase**  
Brief Technical Specification

**MOBI**   
**POWER**

Tel: +27 (0)11 8698795  
sales@mobipower.co.za



The Cashpower Three Phase prepayment electricity meter is a four wire 100 Amp per phase, split prepayment meter in a compact BS housing. The meter is suitable for residential and commercial environments.

## Overview

The Cashpower Three Phase meter is a four-wire 100 Amp per phase, keypad-based prepayment meter in a compact BS housing. The meter is suitable for residential and commercial environments. The meter also features a dedicated diagnostic indicator which shows the status of communication to the remote customer interface unit.

## Features

- Maximum current of 100A per phase
- Compact meter design with British Standard layout
- Easy to install and ideal for new reticulation as well as retrofitting of credit meters with BS footprints
- Prepayment and credit mode
- Meter provides valuable information to help consumers effectively manage and budget their electricity consumption
- Tamper detection
- Programmable software power limit

## Tamper Detection

The Cashpower Three Phase meter is mechanically sealed against tampering through the use of a factory sealed plugs and optional sealing wires for

the electronic enclosure. In addition the terminal cover can be sealed by standard utility seals.

The Cashpower Three Phase meter is equipped with a tamper sensor that will automatically disconnect the power to the load in the event of tampering.

## Remote Customer Interface Unit

The meter has two parts, the prepayment meter and the customer interface unit. The meter is connected to the customer interface unit by a two core communications wire up to a distance of 130 metres. It operates independently of the customer interface unit and is usually installed in a secure, locked enclosure outside the consumer's home. The customer interface unit is compact with a user-friendly keypad and display. The meter also features a dedicated diagnostic indicator which shows the status of communication to the customer interface unit.

The meter contains all critical metering, token decryption and load control functionality. It operates independently and is immune to any form of tampering on the Customer Interface Unit.

The meter is usually installed outside the home in a secure, locked enclosure which should not be accessible to the consumer. This facilitates easy inspection by the utility at any time and reduces the opportunity of fraud by tampering.

# Cashpower Three Phase Technical specifications

## Electrical Ratings

Nominal Voltage ( $U_n$ ) - Rated Voltage

230 Volts AC rms (other voltages available on request)

Nominal frequency

50 Hz (60Hz option available)

Operating voltage range

80% to 120% of  $U_n$  (184V – 276V)

Maximum continuous current ( $I_{max}$ )

100 Amps (factory and field programmable to lower power limits)

Accuracy class index

Class 1

## Main Enclosure

Layout according to BS5685 footprint

## Mounting

Two mounting screws bottom (spacing according to BS5685). Top mounting bracket available as an option

## Rating

IP54 (IEC60529)

## Dimensions

286.8 mm(H) x 173 mm(W) x 80 mm(D) with standard terminal cover

## Mass

Approximately 2.0 kg

## Terminals

According to BS5685

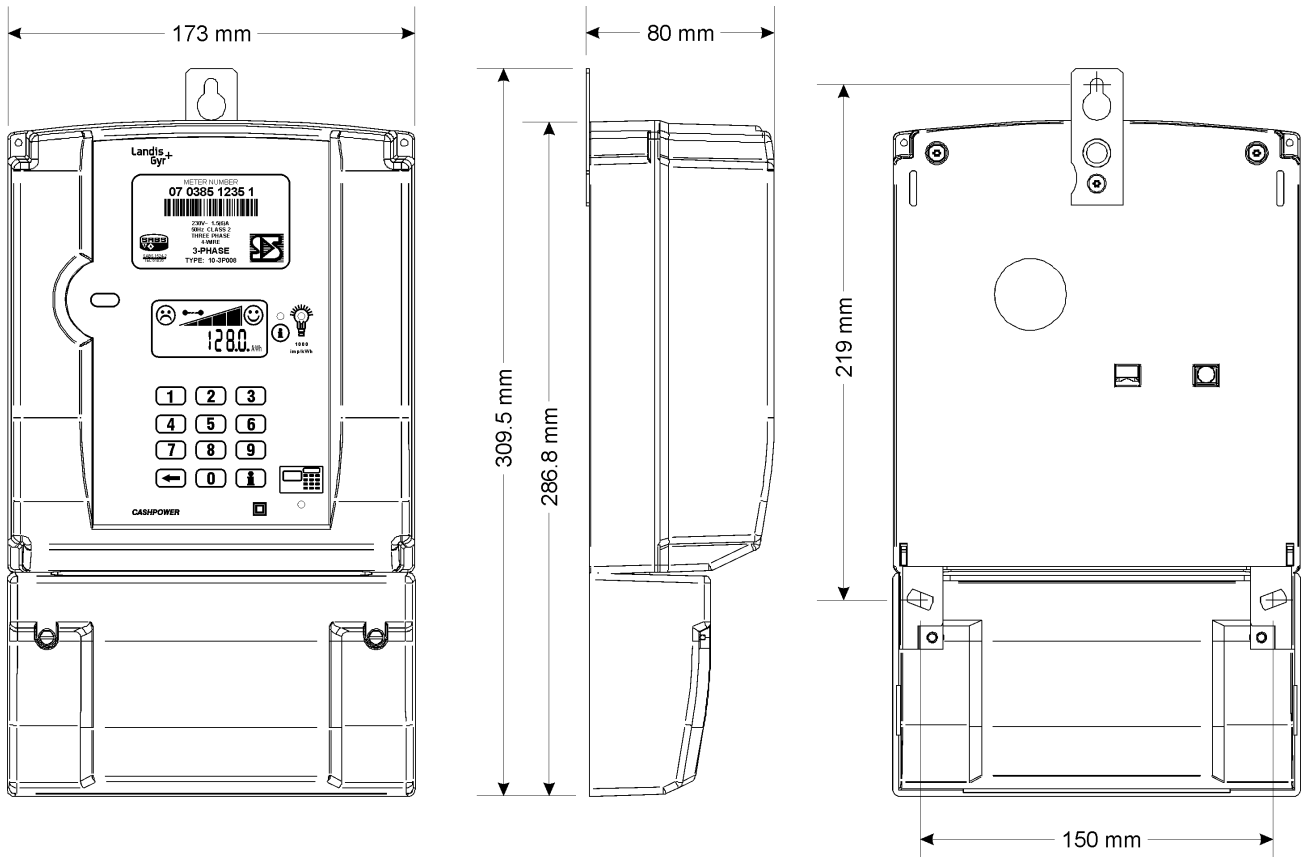
## Mains Terminals

Type Double screw (M6), moving-cage terminal

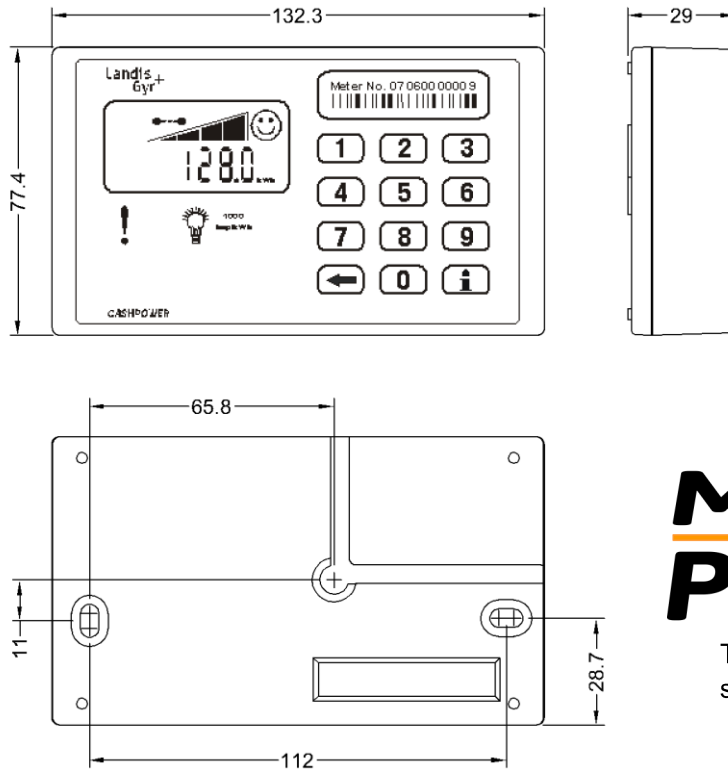
Maximum Cable Size 35mm<sup>2</sup>



# Cashpower Three Phase Dimensions



## Customer Interface Unit Dimensions



**MOBI**   
**POWER**

Tel: +27 (0)11 8698795  
 sales@mobipower.co.za